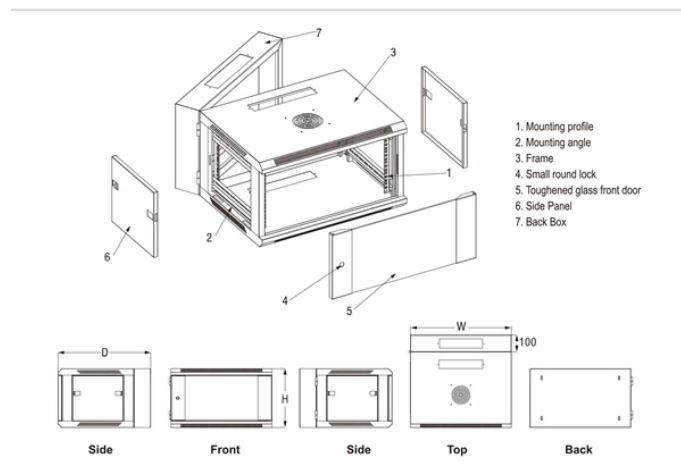


North Macedonia CIF price CFP2QSFP-DD

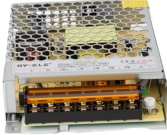


Overview

The Climate Investment Fund (CIF) has given the green light to an \$85 million investment for North Macedonia. The Republic of North Macedonia is an upper middle-income country situated in Southeastern Europe, bordering Bulgaria, Greece, Serbia, Kosovo, and Albania. It gained independence in 1991. The plan, under CIF's Accelerated Coal Transition Investment Program (ACT IP), is designed to trigger almost US\$600 million. The Climate Investment Fund (CIF) has approved on Wednesday North Macedonia's investment plan for an accelerated energy transition from coal to clean energy, totalling €85 million.

- Except for Albania, the region relies heavily on coal for electricity generation, supplied by circa 8.7GW of installed TPP capacities.

North Macedonia CIF price CFP2QSFP-DD



The Climate Investment Fund (CIF) has given the green light to an \$85 million investment for North Macedonia.



SKOPJE, March 20, 2024 - North Macedonia has secured USD 85 million for its transition away from coal from Climate Investment Funds (CIF), the lender announced on Wednesday.



This case study explores the just transition elements of the Accelerated Coal Transition Investment Program, in the context of its wider investments in clean energy in North Macedonia.



North Macedonia could save over 13 million tons of CO2 emissions by 2038 with this plan. CIF funding is expected to enable 400 MW of additional installed renewable energy capacity ...



For energy, North Macedonia relies predominantly on fossil fuels such as coal and hydropower, and is dependent on electricity imports. North Macedonia is one of the countries selected to participate in ...



The Climate Investment Fund (CIF) has given the green light to an \$85 million investment for North Macedonia.



The CIF funding to North Macedonia is part of \$2.2 billion Accelerated Coal Transition Investment Plan, marking the first multilateral platform of its kind to support the shift from fossil fuels ...



The governing board of the Climate Investment Funds, a climate fund delivering low-cost finance to over 70 developing countries, approved an \$85 million investment plan presented by the ...



North Macedonia could save over 13 million tons of CO2 emissions by 2038 with this plan. CIF funding is expected to enable 400 MW of additional installed renewable energy capacity and 100MW of energy ...



- As a result, North Macedonia was invited to prepare a country- owned investment plan (IP) to access up to USD 85 mln of concessional finance & grants (submission aim: Jan 2024). The process is ...



Multilateral lender Climate Investment Funds (CIF) said on Wednesday it had approved an \$85 million investment to help North Macedonia phase out coal-fired power in favour of renewable...

Contact Us

For more information, pricing, or custom network solutions, please contact us:

Website: <https://www.hashherbcafe.co.za>

Email: hello@hashherbcafe.co.za

Phone: +27 63 814 7295

Address: 15 Galaxy Road, Linbro Business Park, Johannesburg, 2065, South Africa

This document is for informational purposes only. Specifications subject to change without notice.

