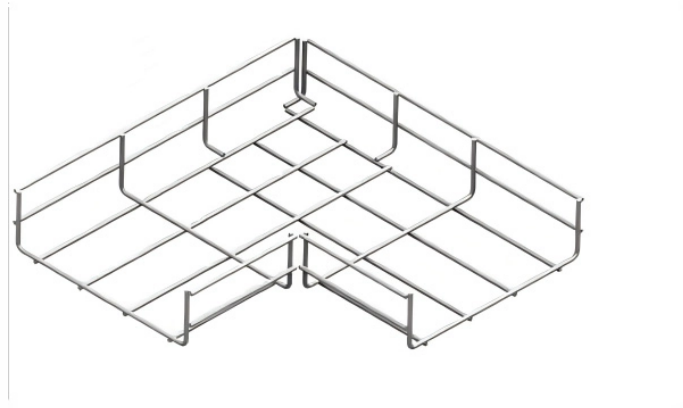


New QSFP Optical Module



New QSFP Optical Module



800G QSFP-DD transceivers for AI/ML clusters and hyperscale data centers. SR8, DR8, and 2×FR4 options available. QSFP-DD MSA-compliant, 800GAUI-8 interface.



WolonFiber manufactures strictly MSA-compliant 100G QSFP28 and 200G QSFP56, QSFP-DD, and heavy-duty CFP2 optical interconnects optimized for ultra-dense Spine-Leaf topologies and long-haul ...



Cisco QSFP-DD and OSFP 800G coherent optical modules are supported on Cisco switches and routers. For more details, refer to the Cisco Transceiver Modules Compatibility Matrix.



Browse optical transceivers from Pivotal Optics including SFP, SFP28, QSFP28 & QSFP-DD modules. 1G to 400G solutions for data centers & networks. Shop now!



Supporting the OpenZR+ Multi-Source Agreement (MSA), the new 400G OpenZR+ QSFP-DD Optical Module from Molex provides a high level of performance and scalability for next-gen data centers ...



Comprehensive guide to NVIDIA optical modules covering QSFP-DD and OSFP 800G solutions. Learn about compatibility, deployment considerations, and technical specifications for ...



Learn the differences between SFP, SFP+, SFP28, QSFP+, and QSFP28 optical module form factors, including speeds, interfaces, and deployment scenarios.



OpenZR+ QSFP-DD Pluggable Coherent Optical Module Metro/regional Ethernet data center | Service provider network interconnects Key Features High-performance operation, leveraging elements of ...



Learn key differences in cost, distance, power, and compatibility to choose the right solution for your data center upgrade. While 100G and 400G technologies continue to advance, 40G ...

Contact Us

For more information, pricing, or custom network solutions, please contact us:

Website: <https://www.hashherbcafe.co.za>

Email: hello@hashherbcafe.co.za

Phone: +27 63 814 7295

Address: 15 Galaxy Road, Linbro Business Park, Johannesburg, 2065, South Africa

This document is for informational purposes only. Specifications subject to change without notice.

