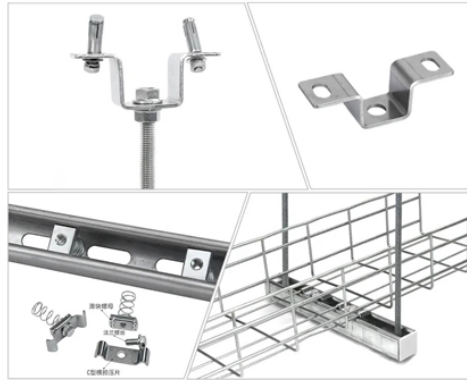


Model of punching machine for cable tray elbows



Model of punching machine for cable tray elbows



The line could be run for cable tray and cover cable tray production (twelve sizes) automatic continuously punching and cutting any length. This production line may produce the cable tray, the ...



Equipped with precision punching tools and mechanisms, they deliver accurate hole punching, ensuring clean and precise perforations in the cable tray components. This results in cable trays with precise ...



Utilizing advanced automation technology combined with precise punching, bending, and cutting processes, this machine efficiently completes the forming and processing of cable trays, meeting the ...



CNC punching machines with servo-electric or hydraulic drives offer high accuracy and are well-suited for regular perforation patterns along tray sidewalls.



A cable tray punching machine is a specialized tool designed to create clean, precise holes in cable trays used in electrical and data cabling systems. These machines eliminate the need ...



HOPEX Fully Automatic cable tray punching machine is a cutting-edge solution for steel cable tray manufacturing. It combines rolling, punching, cutting and forming in one, realizing full automation with ...



High-speed cable tray punching machine for trough trays, integrating roll forming, hydraulic punching, and cutting to ensure accuracy, durability, and efficiency.



cable tray roll forming machine automates precise forming of steel cable trays, with customizable profiles, high-speed production, and durable components. Ideal for electrical construction and ...



High-speed cable tray punching machine delivers precise holes for efficient cable tray production.



The 600 cable tray punching machine ensures high-speed, accurate punching of holes with adjustable sizes to meet specific needs. Its automated system guarantees consistent quality, reduces errors, ...

Contact Us

For more information, pricing, or custom network solutions, please contact us:

Website: <https://www.hashherbcafe.co.za>

Email: hello@hashherbcafe.co.za

Phone: +27 63 814 7295

Address: 15 Galaxy Road, Linbro Business Park, Johannesburg, 2065, South Africa

This document is for informational purposes only. Specifications subject to change without notice.

