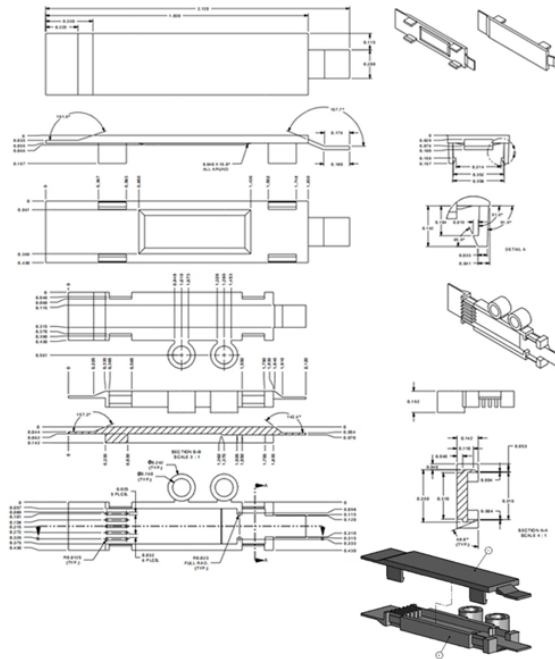


## Maldives Price of Active Optical Cable QSFP-DD



## Maldives Price of Active Optical Cable QSFP-DD



400GBase-AOC (QSFP-DD to 4 x 100G QSFP56)  
OEM Compatible, Multi-Vendor Breakout (MMF,  
850nm, LSZH) Active Optical Cable, xm



FS 400G DAC/AOC cables are compliant with MSA  
and IEEE standards for guaranteed compatibility  
and optimal performance and suitable for servers,  
switches, storage, etc. Purchase from nearby ...



Details 400G QSFP-DD to 2x200G QSFP56 Passive  
Direct Attach Copper Breakout Cable application is  
"break-out" DAC assembly which is a hybrid  
transition from a QSFP-DD on one terminal to two  
...



Check 400G QSFP-DD price from the latest Cisco  
price list 2022.



Amphenol QSFP DD to QSFP DD 200G Active  
Optical Cable assemblies increase the number of  
lanes from 4 to 8 and double the port density as  
compared to 100G QSFP28 AOC. The ...



The 400G QSFP-DD active optical cables are designed for use in 400 Gigabit Ethernet links over OM4 multimode fibers, and contain eight multi-mode fibers (MMF) optic transceivers per end, each ...



Shop Mellanoxlinkx 100gb S Vcsel Based Active Optical Cables Infiniband Cable at best prices at Desertcart Maldives. FREE Delivery Across Maldives. EASY Returns & Exchange.



These cables utilize fiber wiring and are an ideal low-cost option for short reach applications. We also offer these cables in QSFP, QSFP56, QSFP+ and SFP+ formats.



21.5-meter 400G QSFP-DD to 4 x 100G QSFP56 Active Optical Breakout Cable from QSFPTEK is designed for high-bandwidth data transmission, fully compliant with both 400G and 100G Ethernet ...



Discover Proficium for connectivity at scale with OEM-compatible optical transceivers, dac cables, active copper cables, active optical cables, and fiber optic cables. View all products now!

## Contact Us

For more information, pricing, or custom network solutions, please contact us:

Website: <https://www.hashherbcafe.co.za>

Email: [hello@hashherbcafe.co.za](mailto:hello@hashherbcafe.co.za)

Phone: +27 63 814 7295

Address: 15 Galaxy Road, Linbro Business Park, Johannesburg, 2065, South Africa

This document is for informational purposes only. Specifications subject to change without notice.

