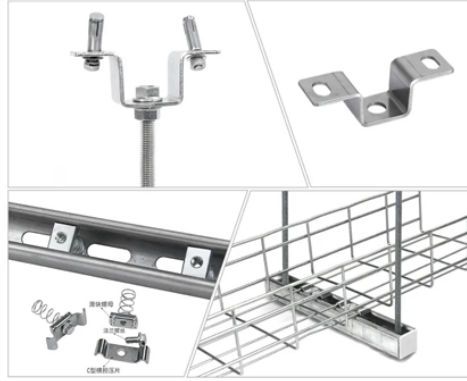


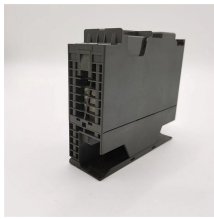
Industrial Ethernet-class SD-WAN Device 1 6T Selection Guide



Industrial Ethernet-class SD-WAN Device 1.6T Selection Guide



The Catalyst 8300 Series Edge Platforms are well suited for medium-sized and large enterprise branch offices for high WAN IPsec performance with integrated SD-WAN services.



Find out how to extend your SD-WAN fabric using Cisco Catalyst routers, providing security and visibility across distributed industrial networks.



Learn how to choose the right Cisco router for branch, SD-WAN, cloud edge, industrial, EOL replacement and enterprise routing projects.



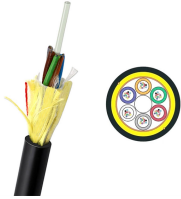
Yes, the Cisco Catalyst 8300 Series Edge Platforms support SD-WAN capabilities. They come with Cisco IOS XE SD-WAN Software to deliver a secure, cloud-scale SD-WAN solution for the ...



We explore the new 1.6T ethernet protocol, and explain how both data centers and edge computing benefit from expanded data bandwidth for AI, HPC, and beyond.



Potential Industrial Ethernet device buyers need a sound roadmap to guide them through the maze of new configuration options. ARC's Industrial Ethernet Devices Selection Guide is designed to help ...



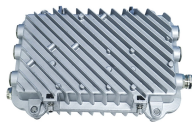
The C8300-1N1S-6T model features an Intel x86 CPU, 8 GB memory, and supports up to 6000 SD-WAN overlay tunnels with advanced security and application performance optimization. Additionally, it is ...



The Catalyst 8300 Series is purpose-built for high performance and integrated SD-WAN Services along with flexibility to deliver security and networking services together from the cloud or on premises. It ...



The Secure SD-WAN Ordering Guide is a complete reference for choosing and ordering Fortinet SD-WAN solutions. It is designed to support a wide range of deployment needs—from small branch ...



C8300-1N1S-6T is a 1RU platform with 1 SM slot and 1 NIM slot plus 6 x 1Gbps embedded Layer3 Ethernet ports.

Contact Us

For more information, pricing, or custom network solutions, please contact us:

Website: <https://www.hashherbcafe.co.za>

Email: hello@hashherbcafe.co.za

Phone: +27 63 814 7295

Address: 15 Galaxy Road, Linbro Business Park, Johannesburg, 2065, South Africa

This document is for informational purposes only. Specifications subject to change without notice.

