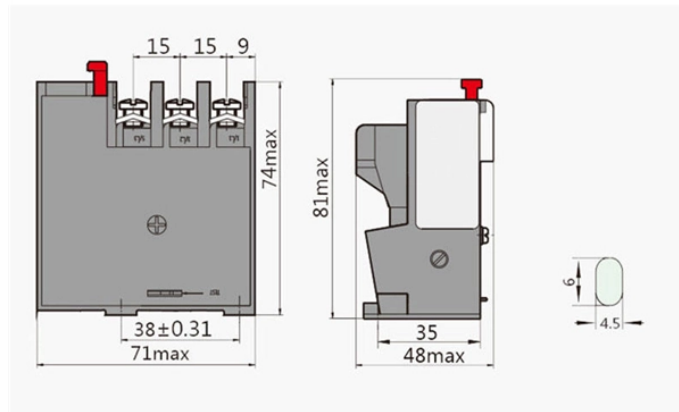


Imported fiber optic patch cords supplied by manufacturers



Imported fiber optic patch cords supplied by manufacturers



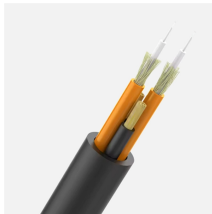
This post lists 10 top patch cord manufacturers and suppliers in the United States. Take a look at their list and obtain detailed information about them.



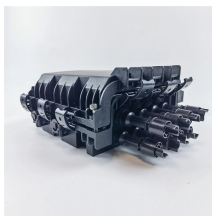
With a large inventory of bulk fiber and raw materials, Continental Optronics can put your custom assemblies into production that day. Our extensive selection of stock fiber and patch cords allows for ...



Corning offers the most complete line of connectors and factory-terminated cables, from single-fiber patch cords to high-fiber-count assemblies.



With more than 1200 employees worldwide, our global manufacturing facilities (ISO Certified), combined with a diverse and unique product offering make us a viable competitive source for all your Fiber and ...



Thorlabs stocks the largest selection of single mode and multimode optical fibers in the photonics industry. If our selection of stocked patch cables does not meet your needs, we also offer custom ...



Manufacturer and distributor of standard and custom fiberoptic patchcords or cables for office and outdoor applications. Cords are available with Kevlar® and PVC materials, rugged jumpers and ...



iFiber Optix manufactures high-quality fiber optic cable assemblies, custom fiber solutions, and patch cables. BABA & TAA compliant. Fast turnaround, precision manufacturing, and OEM support. ...



Explore 39 top manufacturers and suppliers of Fiber Optic Patch Cords in our comprehensive photonics buyers" guide.



High-quality U.S. made fiber patch cords with multiple connector and jacket options for reliable network performance and custom lengths.



Corning offers the most complete line of connectors and factory-terminated cables, from single-fiber patch cords to high-fiber-count assemblies.



We stand behind the craftsmanship of every fiber optic product we deliver. From Indoor / Outdoor, Single mode & Multimode to Mode Conditioning and SFP Transceivers.

Contact Us

For more information, pricing, or custom network solutions, please contact us:

Website: <https://www.hashherbcafe.co.za>

Email: hello@hashherbcafe.co.za

Phone: +27 63 814 7295

Address: 15 Galaxy Road, Linbro Business Park, Johannesburg, 2065, South Africa

This document is for informational purposes only. Specifications subject to change without notice.

