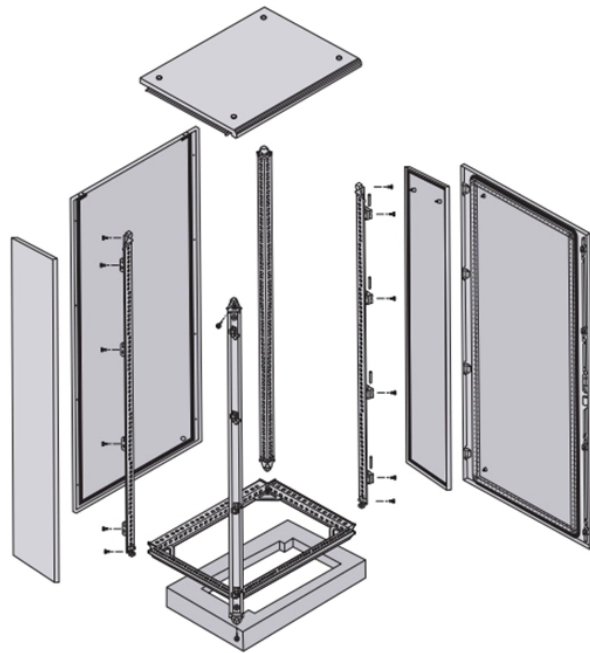


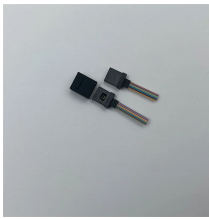
Huawei OSN9800 Optical Module



Huawei OSN9800 Optical Module



The OptiX OSN 9800 M series adopts an optical-electrical integration design, and enables flexible combinations of various optical and electrical boards on a unified platform.



OptiX OSN 9800 is Huawei's next-generation core packet-optical OTN platform for 100G and beyond, ideal for building high-performance backbone and metro networks in data center interconnection, ...



The OptiX OSN 9800 M series are Huawei's next-generation flagship WDM products. They are designed for Optical Networking 2.0 (ON2.0) and feature ultra-large capacity, optical-electrical convergence, ...



Huawei's OptiX OSN 9800 is a next-generation high-capacity, intelligent, and converged optical and packet Optical Transmission Network (OTN) platform for 100G and beyond.



This document provides specifications for Huawei's OptiX OSN 9800 series of optical transport network equipment. It describes the OSN 9800 U64, U32, U16, M24, and P32 chassis, which support optical ...



Huawei's OptiX OSN 9800 K12 is a highly-integrated subrack designed for data center interconnect (DCI) scenarios. It applies to various network layers such as backbone and metro networks.



OptiX OSN 9800 U16 Switching Platforms: Access product manuals, HedEx documents, product images and visio stencils.



Datasheet (2) OptiX OSN 9800 Board Datasheet 2026-04-03 (Brochure) Huawei OSN 9800 2017-10-11



This document provides specifications for Huawei's OptiX OSN 9800 series of ...

Contact Us

For more information, pricing, or custom network solutions, please contact us:

Website: <https://www.hashherbcafe.co.za>

Email: hello@hashherbcafe.co.za

Phone: +27 63 814 7295

Address: 15 Galaxy Road, Linbro Business Park, Johannesburg, 2065, South Africa

This document is for informational purposes only. Specifications subject to change without notice.

