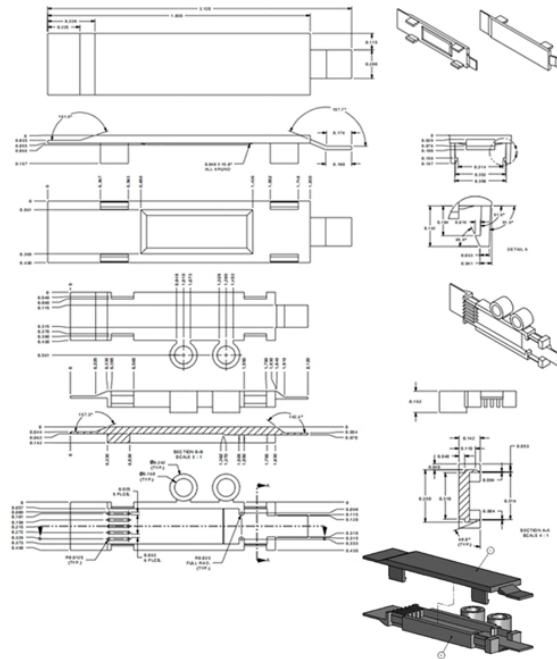


How much does a Columbia fiber optic splitter cost



Overview

Buy optical splitters and passive optical splitters at Cables Plus USA today! Buy optical splitters and passive optical splitters at Cables Plus USA today! FS PLC Fiber Optic Splitters, Bare/Blockless/ABS/LGX Splitter/Rack Mount Types, support 1xN light distribution, with low IL and PDL for high-reliability transmission. Deploying compact FS PLC Splitters to simplify your networks, perfectly fits your PON, EPON, FTTH, etc. fiber optic splitter, optical splitter, PLC splitter, FBT splitter, fiber splitter, passive optical network, PON splitter, FTTH splitter, fiber optic splitter box, splitter. Thorlabs offers a varied selection of single mode (SM), polarization-maintaining (PM), multimode (MM), and double-clad fiber couplers, as well as 1x8 and 1x16 SM PLC splitters; 1x4, 1x8, and 1x16 PM PLC splitters; wideband multimode circulators; RGB combiners; and WDMs. Our SM and double-clad fiber. Check each product page for other buying options. Discover more about the small businesses partnering with Amazon and Amazon's commitment to empowering them. Available in single mode and multimode with 900µm loose tube fiber or 250µm bare fiber connectorless or any fiber connector or combination: LC, LC/APC, SC, SC/APC, FC, FC/APC. You can check our fiber. Splitters are method of splitting a single

fiber optic transmission from a 100% input, into multiple fiber at a specific % of the signal, Splitters are a passive optical device. THIS PRODUCT HAS FREE SHIPPING! TKT-UNICAM-PFC - Corning UniCam Pretium.

How much does a Columbia fiber optic splitter cost



Understand the fundamentals and applications of optical splitter 1 in 2 out, a crucial component in fiber optic communication systems, CATV, and data centers. Explore design, ...



Discover optical fiber splitters designed for home theaters and gaming consoles. Aluminum construction for durability.



Explore our collection of optical cable splitters and PON splitters for sale. Optical beam splitters are used to split the fiber optic light evenly into several parts at specific ratios. Buy optical splitters and passive ...



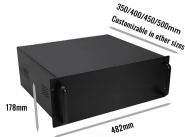
Annually Salaries for Fiber Optic Splicer in the US vary widely, spanning from \$46,154 to \$70,958. Most professionals fall between the 25th percentile (\$51,246) and 75th percentile (\$64,229), while top ...



FIBERONE offers a variety of optical splitters available for quick delivery to meet your project needs. This includes: Single mode optical splitters (1×2) - We offer FBT optical splitters available in a wide ...



Discover a wide range of reliable fiber optic splitters. Our PLC and FBT splitters offer low loss and various split ratios for FTTH, PON, and CATV networks.



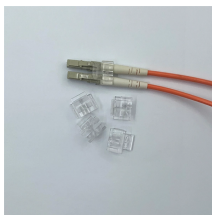
Fiber optic splitters offer a cost-effective, practical solution by dividing a single fiber line into multiple outputs. This guide delivers hands-on advice to help readers implement network expansion ...



FS PLC Fiber Optic Splitters, Bare/Blockless/ABS/LGX Splitter/Rack Mount Types, support 1xN light distribution, with low IL and PDL for high-reliability transmission. Deploying compact FS PLC Splitters ...



Our SM and double-clad fiber coupler offerings also include a selection of components ideal for OCT applications.



You can check our fiber optic splitters by PLC splitter in different packages or 1*N 2*N PLC fiber optic splitter. 15 Years of Manufacturing Experience, Custom & Wholesale at Factory Price.

Contact Us

For more information, pricing, or custom network solutions, please contact us:

Website: <https://www.hashherbcafe.co.za>

Email: hello@hashherbcafe.co.za

Phone: +27 63 814 7295

Address: 15 Galaxy Road, Linbro Business Park, Johannesburg, 2065, South Africa

This document is for informational purposes only. Specifications subject to change without notice.

