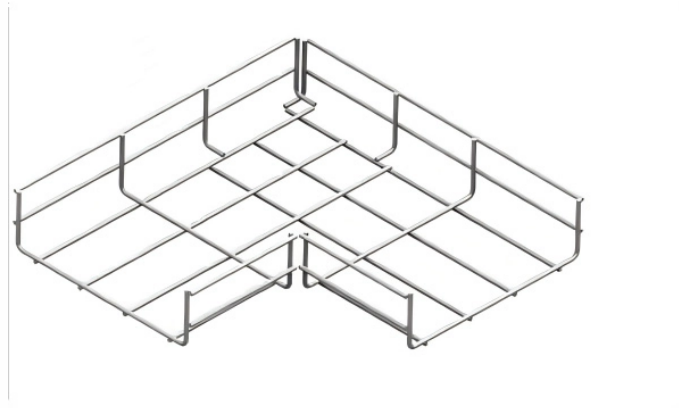


# Causes of Optical Cable Vibration



## Overview

The mechanism causing cable vibration is the periodic aerodynamic force created by vortices, in the wake of the air on the leeward side of the optical cable. IEEE PHOTONICS TECHNOLOGY vol. NO Cancellation of Vibration-Induced Phase Noise in Optical Fibers A. Voltage Abstract—Vibration causes mechanical distortions in optical fibers that induce phase. Fiber optic cables have the ability to transmit huge amount of data through long distance at lightning speed. Though fiber optics is known for reliability, it is not invulnerable. Every fiber optic cable installer or a company that deals in optical installation needs to know the reasons behind. Vibration analysis is one of the proven methods in fault detection in a variety of dynamic components. Section 1 of this technical note provides an overview of all interaction mechanisms between aerial cables and wind.

## Causes of Optical Cable Vibration



In this study, the sensing capability of optical fibre have been explored using optical time domain reflectometer (OTDR) by generating vibrations on the ...



Wind drives mechanical oscillations in aerial fiber-optic cable installations. Aeolian, vortex-induced, cable-galloping and wake-induced vibrations are the three common excitation mechanisms, which ...



This paper aims to develop an optical fiber vibration identification system based on big data analysis to realize the real-time monitoring and data analysis of the running state of optical cable.



CAUSE meaning: 1. the reason why something, especially something bad, happens: 2. a reason to feel something or.... Learn more.



What is a basic definition of cause? A cause is a person, thing, event, or action that triggers a resulting event. Cause can also mean a motivation or an ideal or goal that a person or group is dedicated to. ...



Learn common causes of fiber optic cable damage, from physical and environmental factors to rodent damage, and how to prevent them.



You can say that something causes someone to do something. A blow to the head had caused him to lose consciousness. The experience had caused her to be distrustful of people. Don't say that ...



This paper focuses on a reference measurement and analysis of optical fiber cables sensitivity to acoustic waves.



Definition of cause noun in Oxford Advanced Learner's Dictionary. Meaning, pronunciation, picture, example sentences, grammar, usage notes, synonyms and more.



In this study, the sensing capability of optical fibre have been explored using optical time domain reflectometer (OTDR) by generating vibrations on the optical fibre cable used in an...



Words related to cause are not direct synonyms, but are associated with the word cause. Browse related words to learn more about word associations.



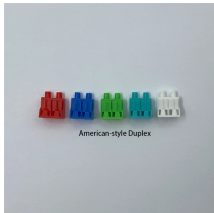
In this study, for the purpose of fault detection the actual operational device on the fiber optic cable manufacturing line was selected since the idea was to implement a condition monitoring on the ...



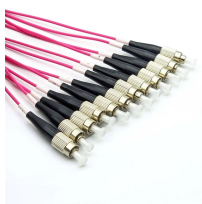
The causes of mechanical failure of glass can be broadly separated into two categories: Extrinsic (flaws in the glass due to the manufacturing process, handling during installation, fiber stripping for ...



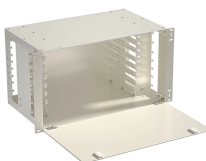
Causes ® is a registered trademark. This website may use cookies and other technologies to collect information about user activities. By using this site, you agree to our Terms of Use and Privacy Policy.



Identifying and understanding the causes of these faults is crucial for ensuring reliable and efficient communication networks. In this article, we will explore the common causes of faults in ...



The causes are a complex blend of local and national tensions. To cause something, usually something bad, means to make it happen. Attempts to limit family size among some minorities are likely to ...



: a cause that sets in motion a sequence of events uninterrupted by any superseding causes and that results in a usually foreseeable effect (as an injury) which would not otherwise have occurred



Abstract - Vibration causes mechanical distortions in fiber-optic transmission lines that induce time (phase) fluctuations. RF systems are increasingly using optical fibers in various ways and must ...



causes as many as vs as many causes as causes can seem to propagate backward in time, occurring after their effects. causes for vs. of Causes it to stop causes of stress Causes them think / Causes ...



IEEE Phase Snrer Contr. Voltage  
Abstract—Vibration causes mechanical distortions in optical fibers that induce phase fluctuations in the transmitted optical signal.

## Contact Us

For more information, pricing, or custom network solutions, please contact us:

Website: <https://www.hashherbcafe.co.za>

Email: [hello@hashherbcafe.co.za](mailto:hello@hashherbcafe.co.za)

Phone: +27 63 814 7295

Address: 15 Galaxy Road, Linbro Business Park, Johannesburg, 2065, South Africa

This document is for informational purposes only. Specifications subject to change without notice.

