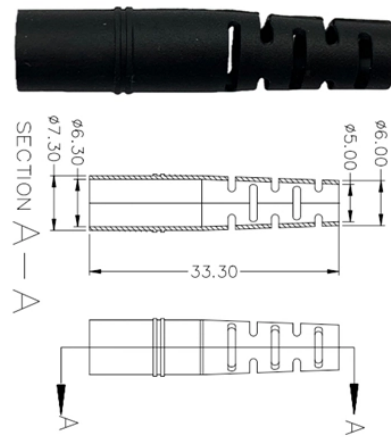


CPO Silicon Photonics Technology



Overview

Silicon photonics packs optical functions into silicon chips, giving you high-bandwidth links without hogging space or power. Chiplet integration lets you combine different components in one tight package, so you don't need one giant monolithic die. As AI clusters push beyond 100 Tb/s per node, the gap between what silicon can generate and what traditional copper interconnects can deliver is widening fast. Three hurdles are now colliding: First, power delivery is nearing practical limits. Adding GPUs no longer scales linearly, with power and. MALTA, N., May 04, 2026 (GLOBE NEWSWIRE) -- GlobalFoundries (Nasdaq: GFS) (GF) today announced the introduction of its SCALE™ optical module solution for co-packaged optics (CPO). This article dives into how CPO—powered by silicon photonics, chiplet. In this context, CPO (Co-Packaged Optics), a new interconnect technology based on opto-electronic integration promoted by NVIDIA, is attracting significant attention.

CPO Silicon Photonics Technology



The SCALE CPO solution, combined with GF's silicon photonics technology, entails an advanced portfolio of fully qualified photonic devices, including 50-Gbps and 100-Gbps micro-ring ...



This paper explores the adoption of photonic technologies, including co-packaged optics (CPO), optical circuit switches (OCS), and silicon photonics in general, to address critical challenges ...



Following the trend of integration, standard silicon photonics fabrication technology must adapt with the development of packaging. In order to meet the requirements of CPO, advanced ...



While linear-drive pluggable modules remain competitive, CPO is expected to offer unmatched customization and scalability, with large-scale adoption targeted for 2028-2030. With AI ...



Learn how co-packaged optics is reshaping data center networks by slashing power use and unlocking massive bandwidth for next-gen AI performance.



Co-packaged optics (CPO) are quickly becoming a go-to answer for the bandwidth and thermal bottlenecks plaguing hyperscale data centers. The recent AI explosion and global supply ...



Learn how co-packaged optics is reshaping data center networks by slashing power use and unlocking massive bandwidth for next-gen AI performance.



Co-packaged optics (CPO) technology, a key enabler for next-generation data center architectures, promises unprecedented bandwidth density and power efficiency by tightly integrating ...



Relative to mature CMOS processes, silicon photonics manufacturing still exhibits higher variability and places greater emphasis on yield and Known-Good-Die assurance.



SCALE CPO solution is the industry's first OCI MSA capable platform and built with GF's proven silicon photonics technology MALTA, N.Y., May 04, 2026 (GLOBE NEWSWIRE) -- ...



Reference: Nvidia's CPO is the First Step in a Long Journey | LightCounting Future Prospects: Coherent CPO, SiPh (Silicon + Photonics), and Chiplet Integration Coherent CPO, silicon ...

Contact Us

For more information, pricing, or custom network solutions, please contact us:

Website: <https://www.hashherbcafe.co.za>

Email: hello@hashherbcafe.co.za

Phone: +27 63 814 7295

Address: 15 Galaxy Road, Linbro Business Park, Johannesburg, 2065, South Africa

This document is for informational purposes only. Specifications subject to change without notice.

