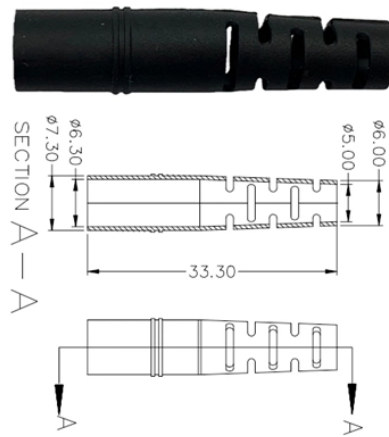


# Burundi Relay Protection Company



## Overview

Market Forecast By Voltage (Low, Medium, High), By End-User (Utilities, Industrial, Railways, Others), By Technology (Electromechanical & Static Relay, Digital & Numerical Relay), By Application (Transmission line, Busbar, Transformer, Feeder, Generator, Motor, Others) And Competitive. Market Forecast By Voltage (Low, Medium, High), By End-User (Utilities, Industrial, Railways, Others), By Technology (Electromechanical & Static Relay, Digital & Numerical Relay), By Application (Transmission line, Busbar, Transformer, Feeder, Generator, Motor, Others) And Competitive. Market Forecast By Voltage (Low, Medium, High), By End-User (Utilities, Industrial, Railways, Others), By Technology (Electromechanical & Static Relay, Digital & Numerical Relay), By Application (Transmission line, Busbar, Transformer, Feeder, Generator, Motor, Others) And Competitive Landscape. Power Protection & Electrical Systems refer to a comprehensive suite of technologies and strategies designed to ensure an uninterrupted, clean, and stable supply of electrical power to medical equipment. These systems are engineered to safeguard sensitive medical devices from the detrimental. Search a company in Burundi with your criteria (trade name, adress, Burundian registry number.

com provides business and credit information about Burundian firms. If your company is active in international trade, our service can bring you in-depth information about your customers. ENCOSyst is a French company created in 2011 by specialists in electric systems (low and medium voltage) and automation in the field of power generation and especially of small hydro and medium capacity. ENCOSyst is a French company created in 2011 by Brilltech Engineers Pvt. Nitin Pratap Singh - Chairman in the year 2007. With quality products and prompt services, the company has acquired ISO. How does 6W market outlook report help businesses in making decisions?

6W monitors the market across 60+ countries Globally, publishing an annual market outlook report that analyses trends, key drivers, Size, Volume, Revenue, opportunities, and market segments.

## Burundi Relay Protection Company



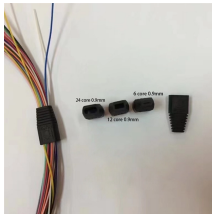
The company has carved a niche as one of the prominent manufacturers, suppliers and exporters of power control systems. With quality products and prompt services, the company has acquired ISO ...



The protective relay market in Burundi is crucial for safeguarding electrical systems from faults and ensuring stability in power distribution. The market is driven by the need for reliable electricity supply ...



Market Forecast By Type (Electromechanical, Solid-State, Hybrid, Others), By Timer Type (Delay-On, Delay-Off, Interval, Others), By End User (Manufacturing, Automotive, Industrial, Others), By ...



Burundi MV Protection Relay Market (2024-2030) | Value, Companies, Share, Industry, Forecast, Revenue, Outlook, Analysis, Size, Trends, Growth & Segmentation



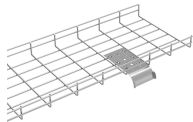
List of Voltage Monitoring companies, manufacturers and suppliers serving Burundi (Energy Monitoring)



With the credit rating, specifically computed in Burundi, you will be able to compare and appreciate the credit-worthiness and the risk of failure of a Burundian company.



Market Forecast By Type (Digital Relay, Electromechanical Relay, Microprocessor Relay, Hybrid Relay), By Application (Overcurrent Protection, Distance Protection, Differential Protection, Voltage ...



The company has carved a niche as one of the prominent manufacturers, suppliers and exporters of power control systems. With quality products and prompt services, the company has acquired ISO ...



The company has carved a niche as one of the prominent manufacturers, suppliers and exporters of power control systems. With quality products and prompt services, the company has acquired ISO ...



Ensuring the reliable and safe operation of your medical equipment in Burundi hinges on a robust power protection and electrical system. Our comprehensive installation process guarantees that your ...



With the credit rating, specifically computed in Burundi, you will be able to compare and appreciate the credit-worthiness and the risk of failure of a Burundian company.

## Contact Us

For more information, pricing, or custom network solutions, please contact us:

Website: <https://www.hashherbcafe.co.za>

Email: [hello@hashherbcafe.co.za](mailto:hello@hashherbcafe.co.za)

Phone: +27 63 814 7295

Address: 15 Galaxy Road, Linbro Business Park, Johannesburg, 2065, South Africa

This document is for informational purposes only. Specifications subject to change without notice.

