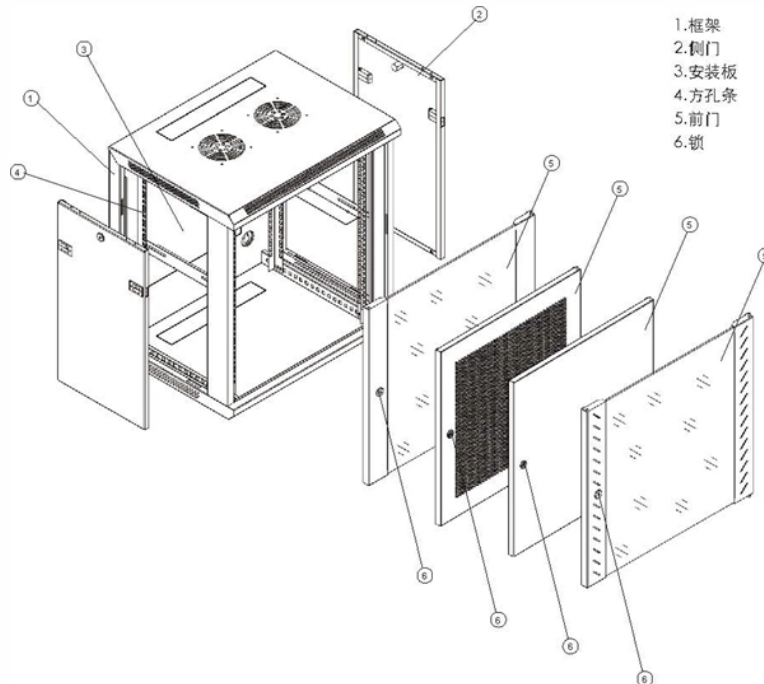


Australian AI Server Motherboard Manufacturers



Overview

This report is a detailed and comprehensive analysis for global Motherboards for AI Servers market. Both quantitative and qualitative analyses are presented by manufacturers, by region & country, by Type and by Application. OVHcloud offers high-performance bare-metal servers that can be customized for various applications, making them ideal for demanding workloads such as machine learning and big data processing. To bring clarity to the. AI servers accelerate model training and real-time inference, delivering powerful computing with CPUs, GPUs, and specialized AI accelerators. Please check your. AI Server PCB: How to Choose the Right Manufacturer for Data Centers October 30, 2025 Key Takeaways Mission-Critical Infrastructure: AI server PCBs represent the highest-value component in data centers, with costs reaching \$170,000 per system. In 2023, hyperscalers like Microsoft Azure and AWS collectively invested over \$30 billion in AI infrastructure upgrades, requiring motherboards. According to our (Global Info Research) latest study, the global Motherboards for AI Servers market size was valued at US\$ 1869 million in 2023 and is forecast to a readjusted size of USD 5332 million by 2030 with a CAGR of 15.

Australian AI Server Motherboard Manufacturers



Discover all relevant Server Motherboard Manufacturers in Australia, including OVH APAC and MSI Australia and New Zealand



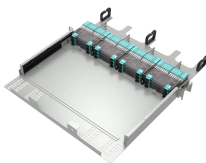
From the perspective of an expert deeply versed in high-speed materials and complex stack-up planning, this article will systematically dissect the core challenges and cutting-edge solutions in the ...



Major companies like Foxconn and Inventec are actively expanding their production facilities, both in their home country and abroad, to prepare for ...



This report is a detailed and comprehensive analysis for global Motherboards for AI Servers market. Both quantitative and qualitative analyses are presented by manufacturers, by region & country, by ...



Aivres is a global provider of performance-optimized servers for data center, cloud, enterprise, AI, edge, and open computing.



AI servers accelerate model training and real-time inference, delivering powerful computing with CPUs, GPUs, and specialized AI accelerators. Their scalable and efficient architecture enables businesses ...



Whether for high-performance AI inference, intelligent edge control, or flexible cloud deployments, HPM-GNRUA stands as the ideal foundation for future-ready server platforms.



AI server PCB costs can be expensive. Learn technical requirements, manufacturing challenges & how to select the right supplier for data centers.



We evaluated server manufacturers based on performance, partner channels, workload optimization, environmental impact, future-readiness, and other criteria. This blog lists the top five ...



Whether for high-performance AI inference, intelligent edge control, or flexible cloud deployments, HPM-GNRUA stands as the ideal foundation for ...



Major companies like Foxconn and Inventec are actively expanding their production facilities, both in their home country and abroad, to prepare for the expected increase in orders for AI ...



In 2023, hyperscalers like Microsoft Azure and AWS collectively invested over \$30 billion in AI infrastructure upgrades, requiring motherboards capable of supporting high-density compute ...

Contact Us

For more information, pricing, or custom network solutions, please contact us:

Website: <https://www.hashherbcafe.co.za>

Email: hello@hashherbcafe.co.za

Phone: +27 63 814 7295

Address: 15 Galaxy Road, Linbro Business Park, Johannesburg, 2065, South Africa

This document is for informational purposes only. Specifications subject to change without notice.

